

# LED WhiteLight™ Work Lamp

## Product Information Sheet

- Long-lasting, high-output LED WhiteLight™ work lamp
- Optional beam patterns available
- Durable rugged construction
- Low power consumption

### Features and Benefits:

- 50,000 hour LED WhiteLight™ for long lasting service
- Greater Lumen output with lower power consumption than leading competitors version
- Polycarbonate hard-coated lens provides many years of service
- Versatile spot, trapezoid and flood patterns available for application specific needs
- Sun like color temperature provides a natural contrast, reducing eye fatigue and optimizing job performance
- Superior lamp for Utility, Mining, Military, Construction, Agriculture, Fire, Emergency, Fleet, Off-Road applications, Class 8 work lamps, Skid Loaders, Tow Motors and Tow Trucks

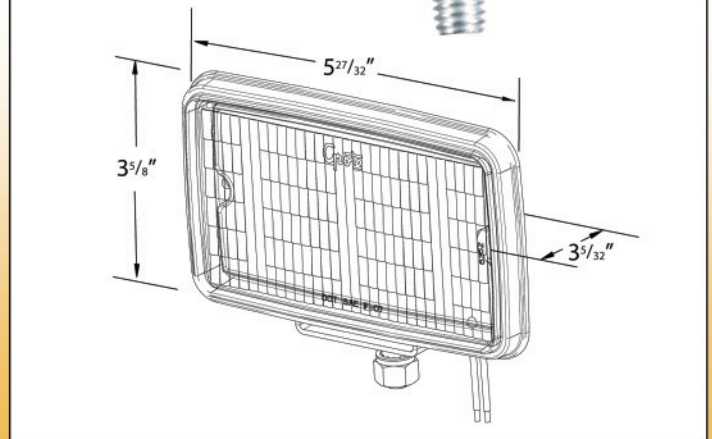
### Beam Patterns

#### Spot:

Piercing beam of pure focused LED WhiteLight™. Used for illuminating objects in distants.

**Trapezoid:** Beam pattern used for near-field forward lighting in off-highway applications. Provides a wide angle beam giving great side-to-side illumination.

**Flood:** Widest illumination pattern available. Used for a broad variety of applications like construction, loading, and general scene lighting.



Material: Die Cast Housing, Polycarbonate Lens  
Finish: Black

Part Number	Pattern	Light Source	Operating Voltage	Current Draw	Interchange
63601	Spot	LED	14V	.8A	TL 81360 12.5v
63611	Flood	LED	14V	.8A	
63621	Trapezoid	LED	14V	.8A	
63731	Spot	LED	24V	.4A	TL 81240 24v
63741	Flood	LED	24V	.4A	
63751	Trapezoid	LED	24V	.4A	



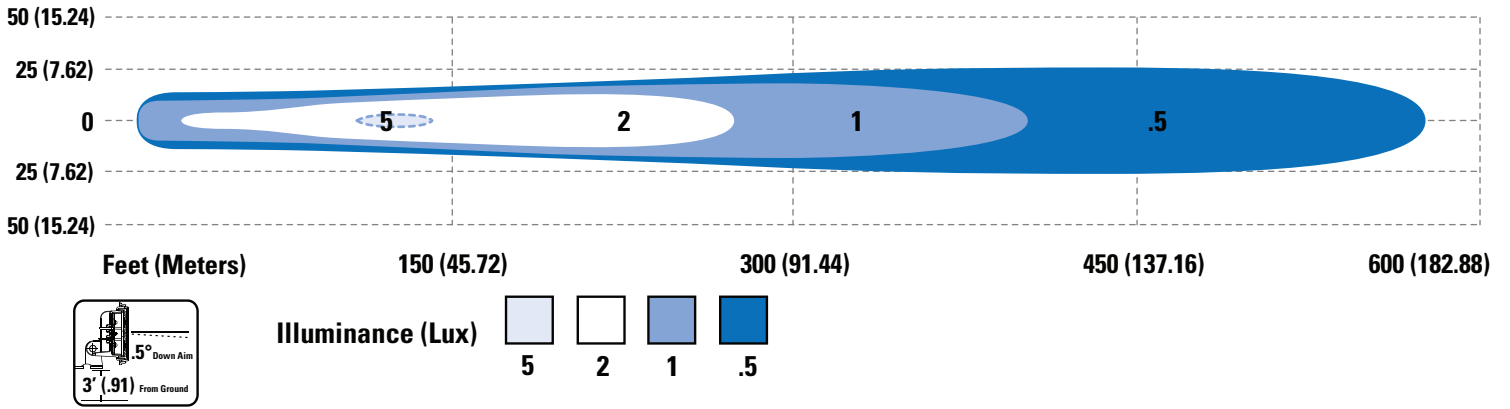
The first name in  
vehicle safety systems®

2600 Lanier Drive Madison, Indiana U.S.A 47250-0550  
U.S. 800.628.0809 Canada 800.268.5612

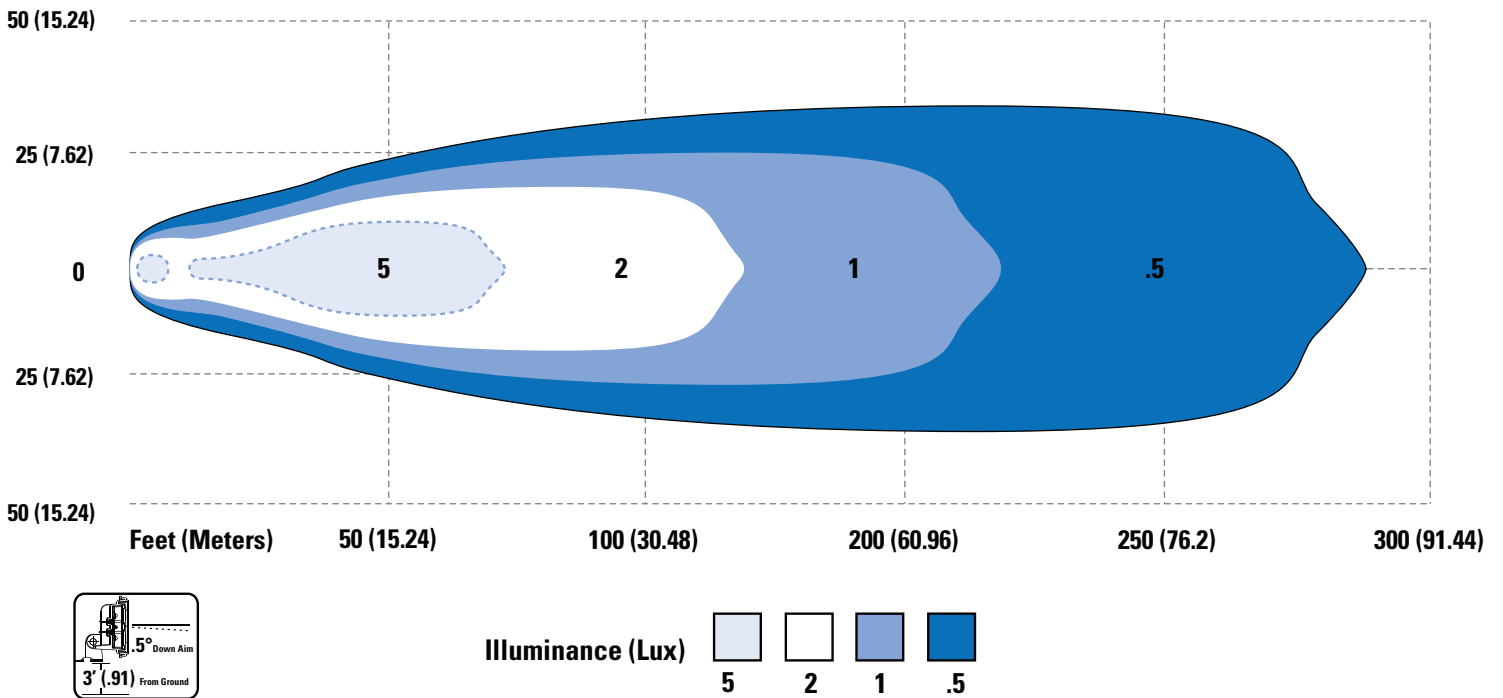
[www.grote.com](http://www.grote.com)

GLB-2007-69

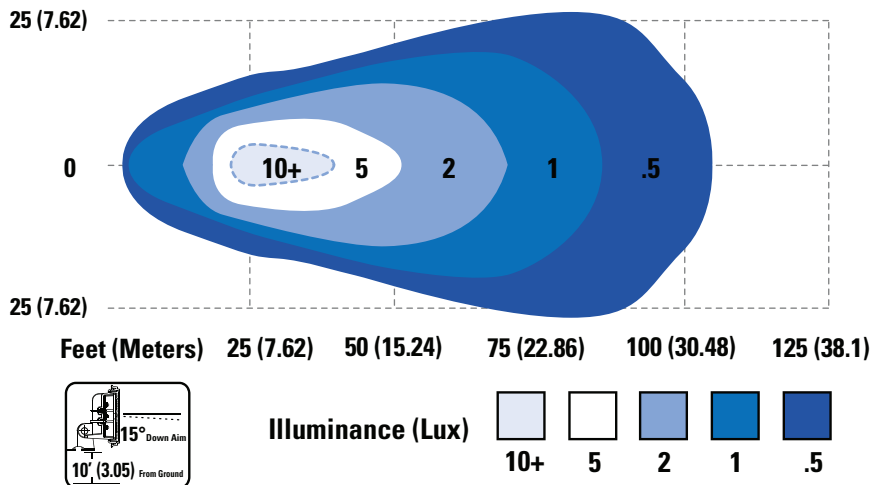
**LED Work Lamp Spot-63601/63731**



**LED Work Lamp Trapezoid-63621/63751**



**LED Work Lamp Flood-63611/63741**



The first name in vehicle safety systems®