

# Trilliant™ LED WhiteLight™ Work Lamp

## Product Information Sheet

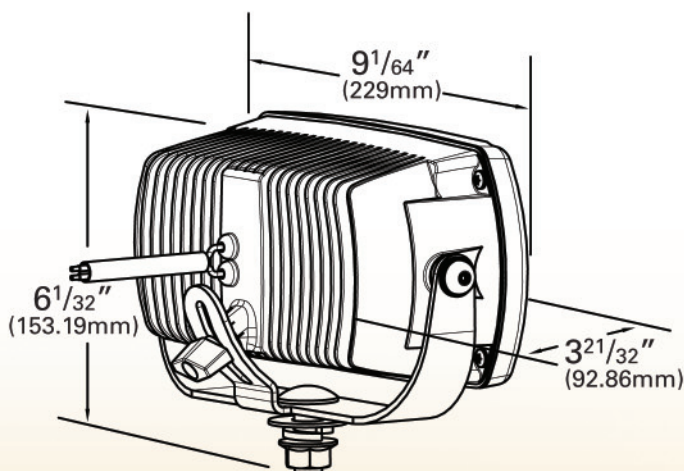
- Long-lasting, high-output LED WhiteLight™ work lamp
- Field tested in brutal off-road applications
- "Aim-N-Go" mounting requires no tools for horizontal adjustments
- Beam pattern can be easily changed with optional replacement lenses
- Delivers 35,000 hrs. of operation vs. 2,000 hrs. for HID and 500 hrs. for halogen lamps



**LED WhiteLight™** BRIGHTER LIGHT  
BETTER PERFORMANCE  
INNOVATION by Grote Industries, Inc.

### Features and Benefits:

- Bright LED WhiteLight™ lamp offers peak intensities of over 150,000 candela
- Replaceable hard-coated lens provides many years of service
- Durable 1/2" stud mounting bracket makes securing easy
- Toolless adjustments help aim light where needed
- Versatile spot, trapezoid and flood patterns available for application specific needs
- Unique color temperature provides a natural contrast most like sunlight, reducing eye fatigue and optimizing job performance
- Superior lamp for Utility, Mining, Military, Construction, Agriculture, Tow, Fire, Emergency, Fleet, Off-Road applications and general lighting for environments that requires a durable lamp, delivering a long lasting bright light, that is low heat emitting



### Beam Patterns

#### Spot:

Piercing beam of pure focused LED WhiteLight™. Used for illuminating objects up to 1/4 mile.

**Trapezoid:** Beam pattern used for near-field forward lighting in off-highway applications. Provides a wide angle beam giving great side-to-side illumination.

**Flood:** Widest illumination pattern available. Used for a broad variety of applications like construction, loading, and general scene lighting.

Material: Powder coated steel bracket, cast aluminum housing, polycarbonate lens, plastic hardware bag with loom, connectors, wire terminals and instructions.

Finish: Black (Other color bezels and mounting configurations available upon special request)

94580 - Wide Flood/Spot pattern replacement lens

94600 - Flood pattern replacement lens

94590 - Trapezoid pattern replacement lens

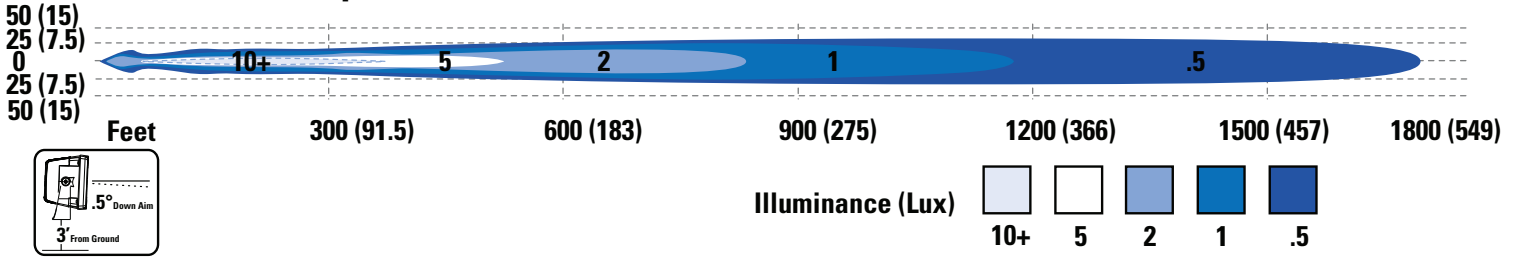
| Black Bezel Lamp | Pattern    | Light Source | Operating Voltage/AMP |          |
|------------------|------------|--------------|-----------------------|----------|
| 63571/63671      | Spot       | LED          | 10V - 30/5.2-1.5A     | 24V/2.1A |
| 63581/63681      | Flood      | LED          | 10V - 30/5.2-1.5A     | 24V/2.1A |
| 63591/63691      | Trapezoid  | LED          | 10V - 30/5.2-1.5A     | 24V/2.1A |
| 63761/63771      | Wide Flood | LED          | 10V - 30/5.2-1.5A     | 24V/2.1A |



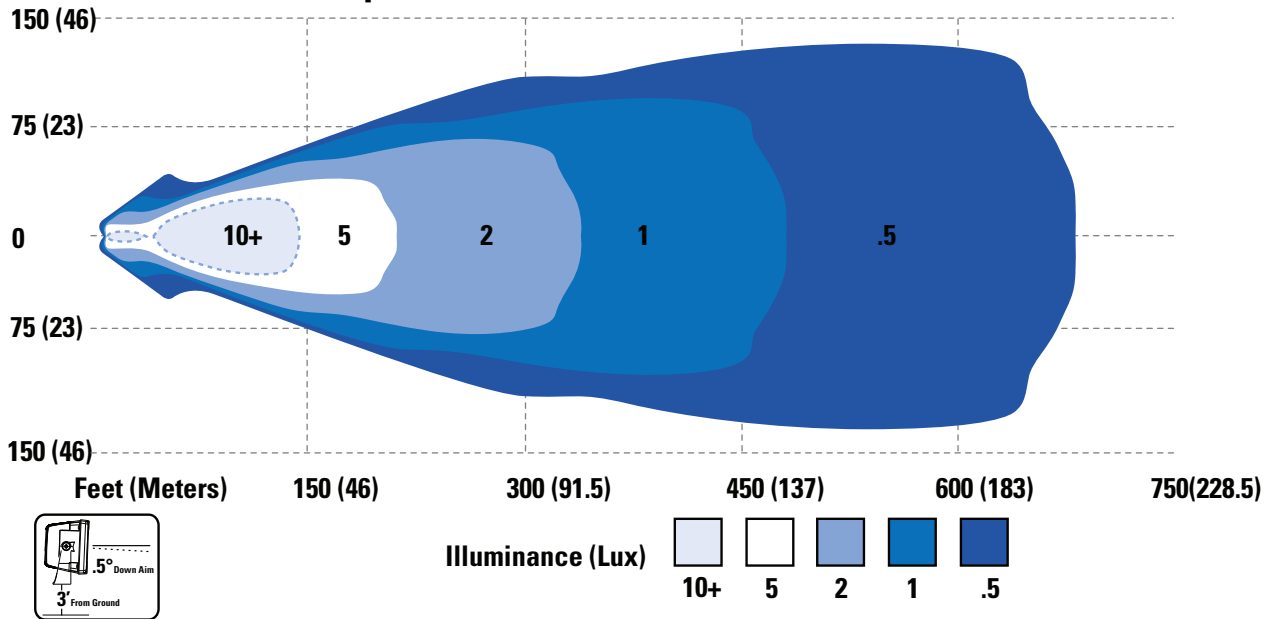
2600 Lanier Drive Madison, Indiana U.S.A 47250-0550  
U.S. 800.628.0809 Canada 800.268.5612

[www.grote.com](http://www.grote.com)

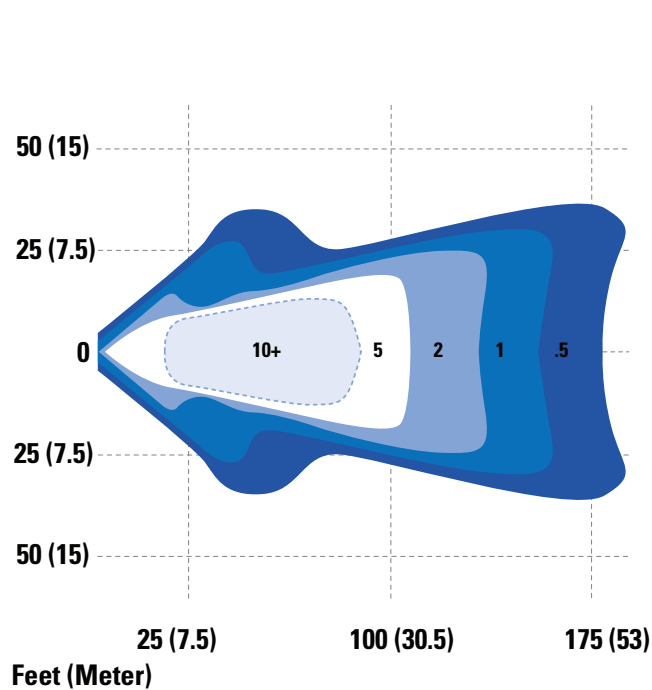
# Trilliant<sup>®</sup> Spot-63571-63671



# Trilliant<sup>®</sup> Trapezoid-63591-63691



# Trilliant<sup>®</sup> Flood-63581-63681



# Trilliant<sup>®</sup> Wide Flood-63761

